

# Wall or Ceiling 3mm ROD Kits

## FITTING INSTRUCTIONS

**IMPORTANT:** It is essential to check that the wall or ceiling fixings are strong enough to take the weight of the items being displayed.

1. Using pocket centre guide below, mark wall or ceiling with the appropriate rod centres for the size of pockets you are installing.

2. Cut 3mm rod to suit the size and quantity of pockets.  
(Available in 1m, 2m and 3m lengths)

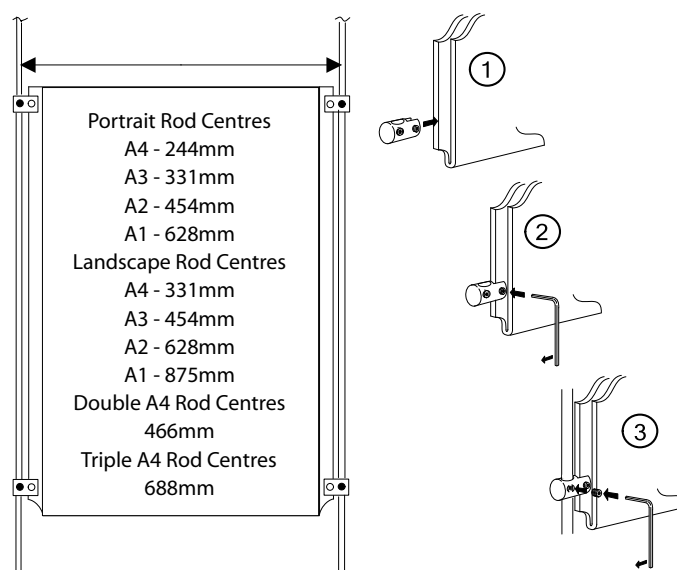
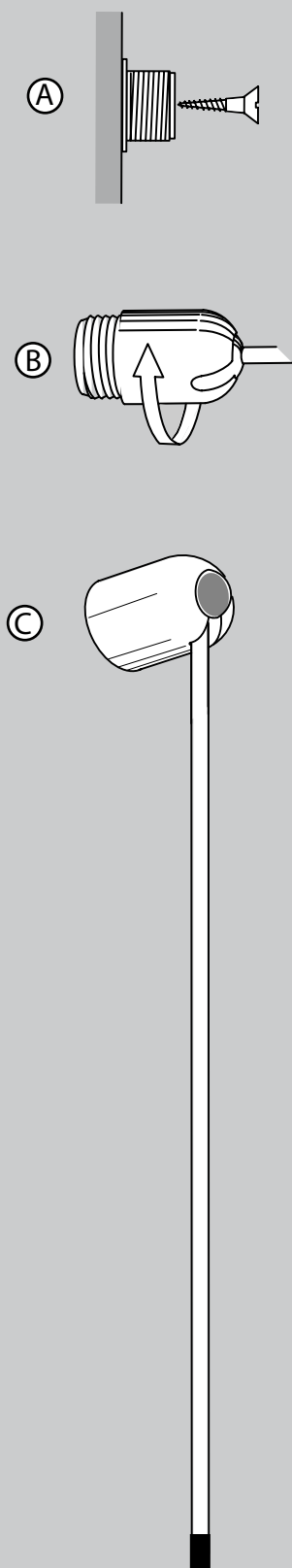
3. Fix fitting A to wall or ceiling as required.

4. Offer up fitting B (including rod) up to fitting A, remembering to insert spring and tighten.

5. Attach vertical clamps to poster pockets (see below) and tighten in position with allen key provided.

6. Slide poster pockets with vertical clamps attached on to the rods and secure in position of your choice with allen key supplied.

7. Fit black protective end cap on to exposed end of rod to complete.



web : [www.ral-display.co.uk](http://www.ral-display.co.uk) e-mail : [sales@ral-display.co.uk](mailto:sales@ral-display.co.uk)

tel : (0116) 2554640 fax : (0116) 2550572

R.A.L Display Marketing Ltd, 2 Cranmer Street, Leicester LE3 0QA