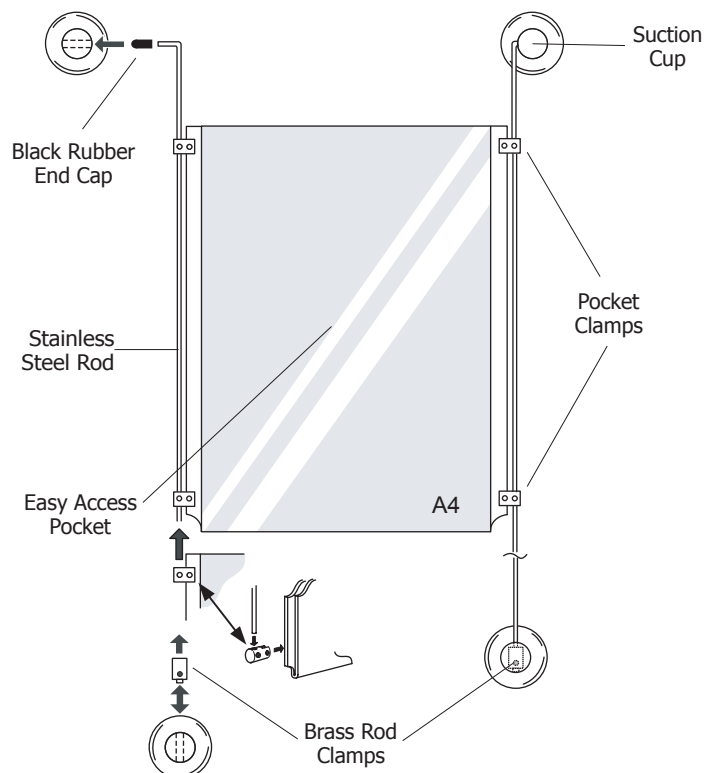


# Suction Pad Poster Display Kits

## FITTING INSTRUCTIONS

Assembly is best carried out on a clean flat surface.

1. Fit pocket clamps to acrylic pockets (approx 20mm from top and bottom) using the 2mm allen key provided. Make sure that the grub screws face the rear of the display. The rear of the pocket has the narrow flap.
2. Slide the pockets onto the 2 rods, checking that the pockets are level and evenly spaced before tightening into position.
3. Fit brass rod clamp to bottom of each rod and tighten with the 1.5mm allen key.
4. Fit black rubber end caps to right angled end of rods and fit top suction cups. Fit lower suction cups by sliding over the brass rod clamps.
5. Before fitting the assembly to the window, ensure that the surface is clean and free from grease. Offer the assembled unit up to the desired position and push home the 4 suction cups. The suction cups can be lightly moistened before fixing for improved adhesion.



web : [www.ral-display.co.uk](http://www.ral-display.co.uk) e-mail : [sales@ral-display.co.uk](mailto:sales@ral-display.co.uk)

tel : (0116) 2554640 fax : (0116) 2550572

R.A.L Display Marketing Ltd, 2 Cranmer Street, Leicester LE3 0QA