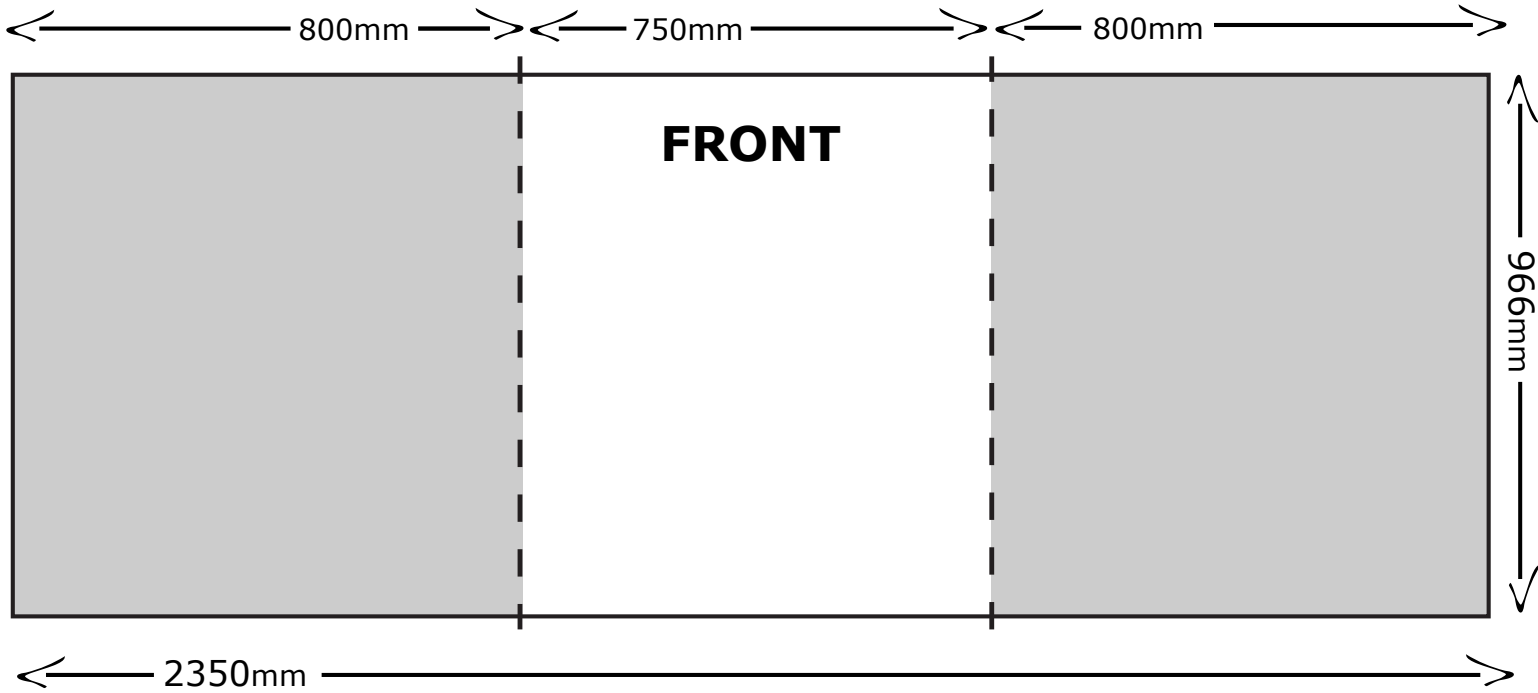


Double D Kneehole Wrap

ARTWOK GUIDE



Please build as one file.

Actual size: 2350 (w) x 966 (h) mm

1/4 size: 587.5(w) x 241.5 mm (h) mm

Check list....

- a. Create document at 1/4 size and save as a high resolution PDF or EPS file.
1/4 size: 587.5(w) x 241.5 mm (h) mm
- b. Please note that only the centre area of 750mm is directly visible from the front.
- c. DO NOT add any crop marks, registration marks, panel lines or outside bleed.
- d. Convert ALL text and fonts to outlines (curves).
- e. Supply in CMYK colour mode.

Tel: 0116 2554640 Fax: 0116 2550572