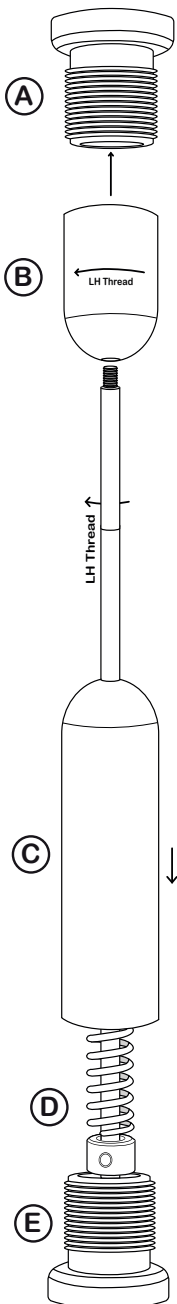


ASSEMBLY INSTRUCTIONS: FLOOR TO CEILING ROD KIT



INSTALLING FLOOR TO CEILING RODS

Determine the rod centre measurements for the pockets you are installing from list opposite.

Mark out the floor positions for the pair of rods, use a plumb bob to find the location on the ceiling directly over the floor position.

Unscrew the fixing **A** from the ceiling fixing **B** and securely fix to your mark on the ceiling. Do the same to the floor with fixing **E** from the rod tensioner **C**

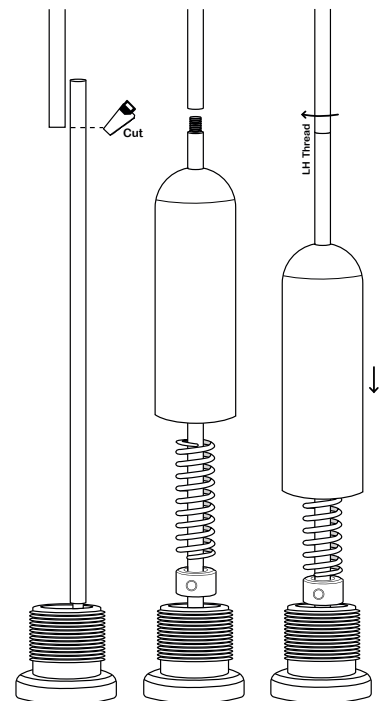
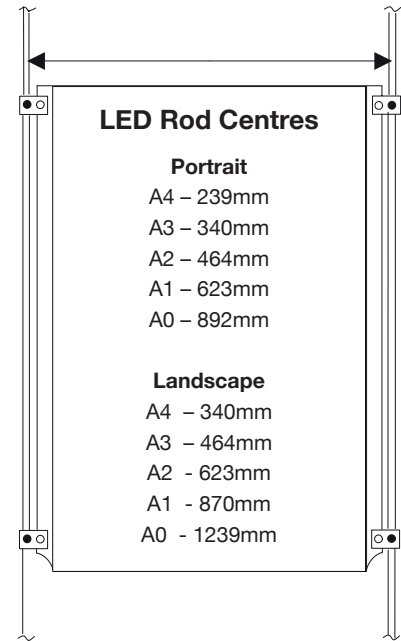
Depending on how high the ceiling is, keep adding rods until you have less than one rods length left.

Hold the last rod 2mm above the top of the fixing (see diagram) and cut to size as shown then screw the rod in to the hanging rod.

Slide on brass collar and spring **D** and then the tensioner cover **C** Tighten the collar flush with the top edge of the floor fixing and then tighten the outer body of the tensioner on to the floor fixing **E**

You should feel the the tension starting to be taken up just before the tensioner is screwed fully down.

Remember, the rod is only as strong as your fixing to the ceiling.



Installing a Light Panel

Step 1. Connecting the Light Panel

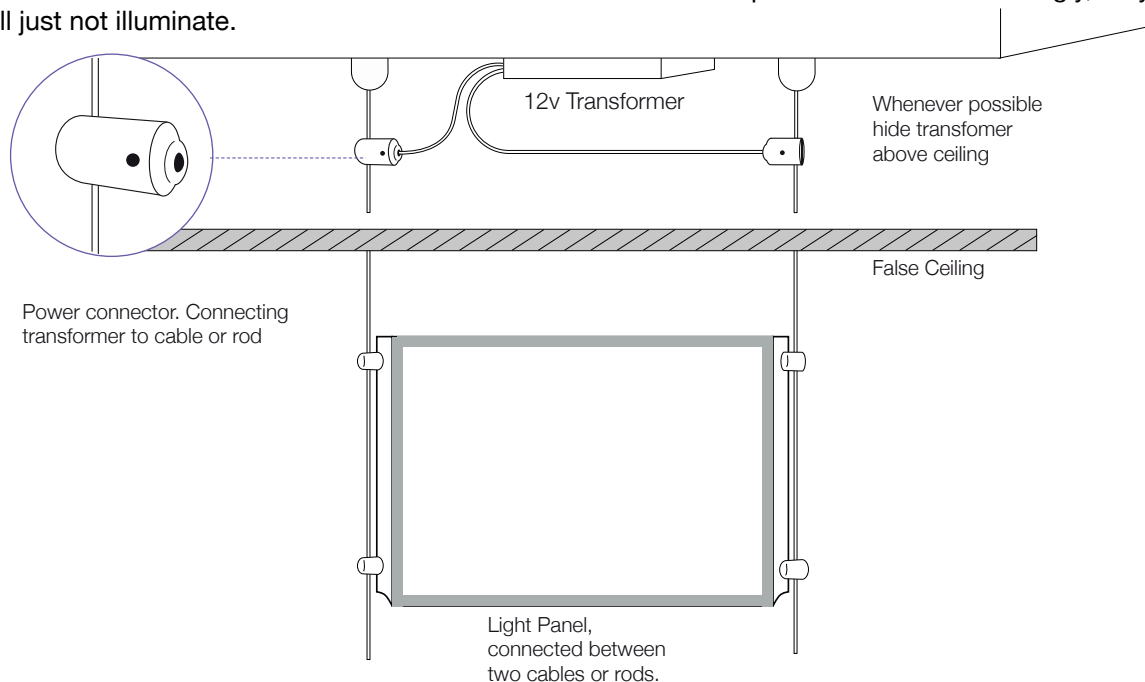
This is the same for cables or rods. The light Panel comes complete with cable or rod connections. Once you have decided on where the light panel is to be fitted, remove the allen screw from the connection on the light panel and attach to the cable or rod. When you are happy the light panel is level, tighten the screws.

Step 2. Connecting the transformer.

It is important to check that you have the correct transformer. Light Panels require a DC Transformer.

Identify the input and output leads of the transformer. The input lead is the one which brings the 240 volts from the mains into the transformer. This should be connected to a plug or a fused spur.

The output leads are 2 separate leads. These have to be connected to the cables or rods, using the supports provided. One will be red (positive) and one black (negative). On the end of one of the cable or rod fittings will be a small sticker showing either a + or a -, the red wire must be connected to the + and the black wire connected to the -. No harm will come to the panels if connected wrongly, they will just not illuminate.



- NEVER CONNECT TRANSFORMER CONNECTIONS TO THE TOP OR BOTTOM FITTING ON EITHER THE CABLE OR THE ROD!
- TURN THE POWER OFF BEFORE MAKING ANY CONNECTIONS
- NOTHING METALLIC MUST CROSS OR CONNECT TO THE CABLES OR RODS OTHER THAN THE LIGHT PANELS. MAKE SURE NOTHING METALLIC IS IN THE CEILING OR FLOOR AND CONNECTING TO THE SCREWS.