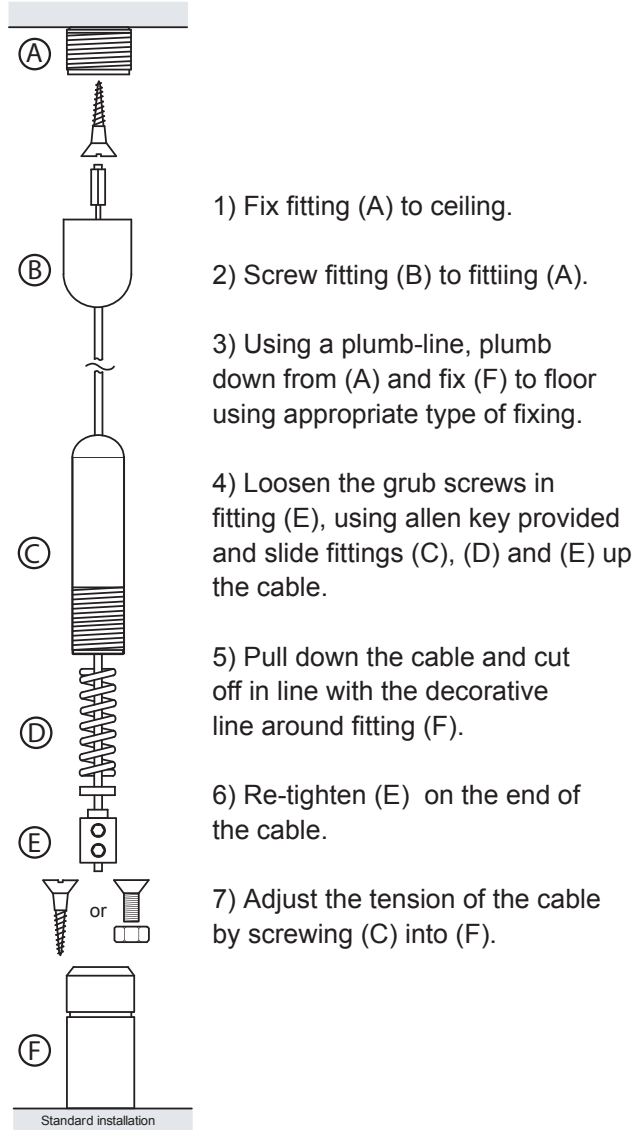


ASSEMBLY INSTRUCTIONS

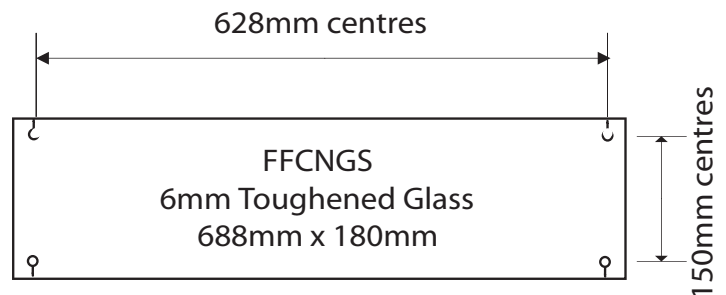
Floor to Ceiling Suspended Glass Shelving Kits

Installation FFCNGS Shelving Kit

fig 1



- 1) Fix fitting (A) to ceiling.
- 2) Screw fitting (B) to fitting (A).
- 3) Using a plumb-line, plumb down from (A) and fix (F) to floor using appropriate type of fixing.
- 4) Loosen the grub screws in fitting (E), using allen key provided and slide fittings (C), (D) and (E) up the cable.
- 5) Pull down the cable and cut off in line with the decorative line around fitting (F).
- 6) Re-tighten (E) on the end of the cable.
- 7) Adjust the tension of the cable by screwing (C) into (F).



- 1) Mark the four cable positions on floor area using cable centre dimensions above.
- 2) With the use of a plumbline mark the four cable positions on the ceiling.
- 3) Install all four cables (see installation guide fig 1)
- 4) Fix 4 x shelf supports per shelf to the cables in desired position and lower the shelf in to position ensuring that the support locates correctly in the keyhole slot (fig2)
- 5) Adjust shelf to horizontal preferably with a spirit level and repeat procedure for remaining shelves (fig 3)

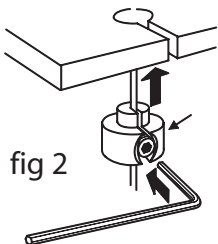


fig 2

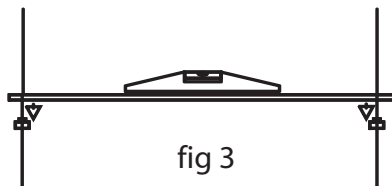


fig 3

Tel: 0116 2554640 Fax: 0116 2550572