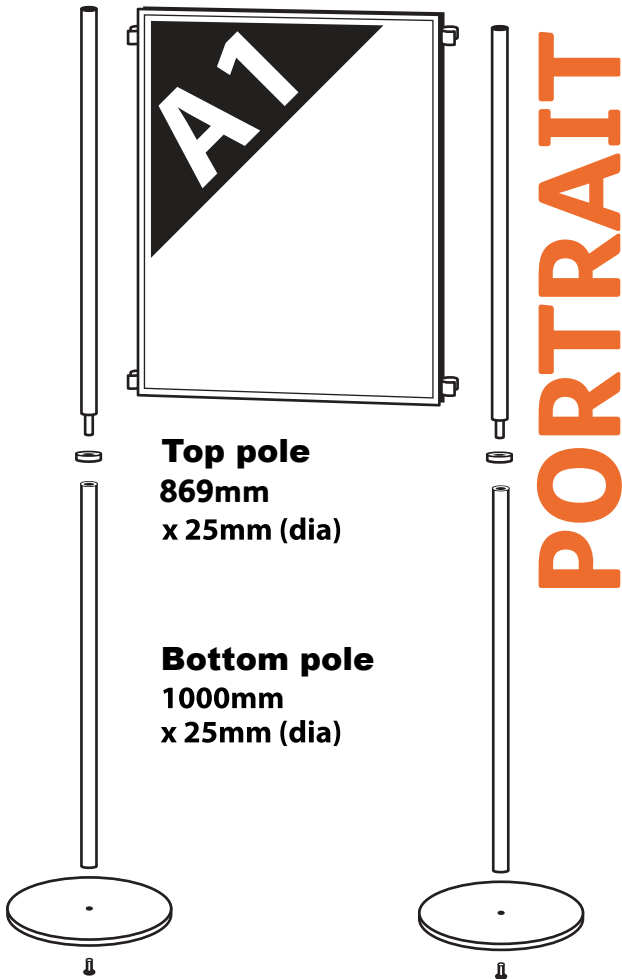


**A1  
 ELEVATED  
 DISPLAY STANDS**

**ASSEMBLY INSTRUCTIONS:**

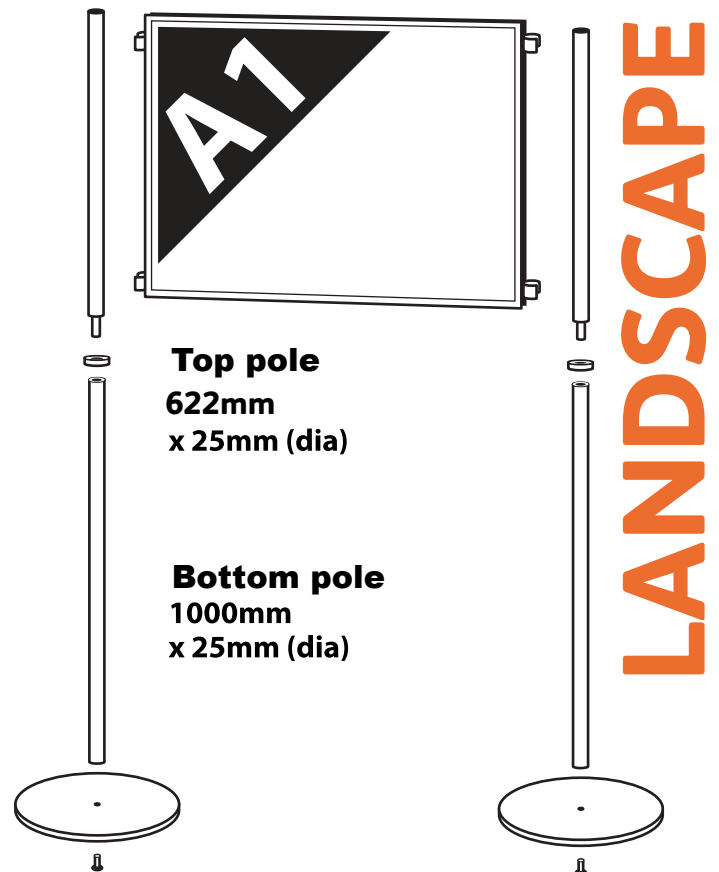


**Top pole**  
 869mm  
 x 25mm (dia)

**Bottom pole**  
 1000mm  
 x 25mm (dia)

**PORTRAIT**

**Modular Elevated display stands  
 that can link together to form  
 longer runs.**



**Top pole**  
 622mm  
 x 25mm (dia)

**Bottom pole**  
 1000mm  
 x 25mm (dia)

**LANDSCAPE**

**IMPORTANT – BASE SCREWS**

Base screws are taped to the inside of the base boxes & are wrapped in a protective foam packaging. Please remove before disposing of boxes.

**Tel: 0116 2554640 Fax: 0116 2550572**