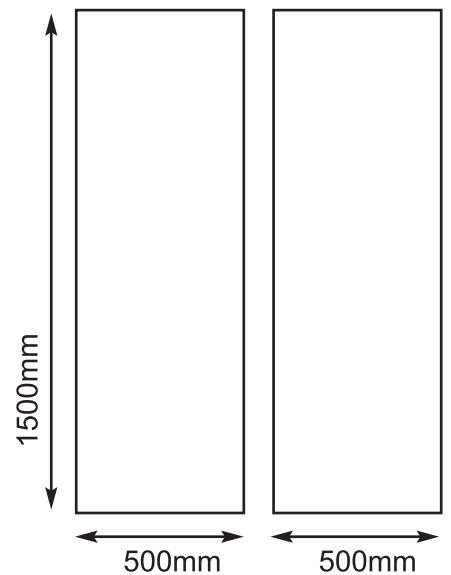
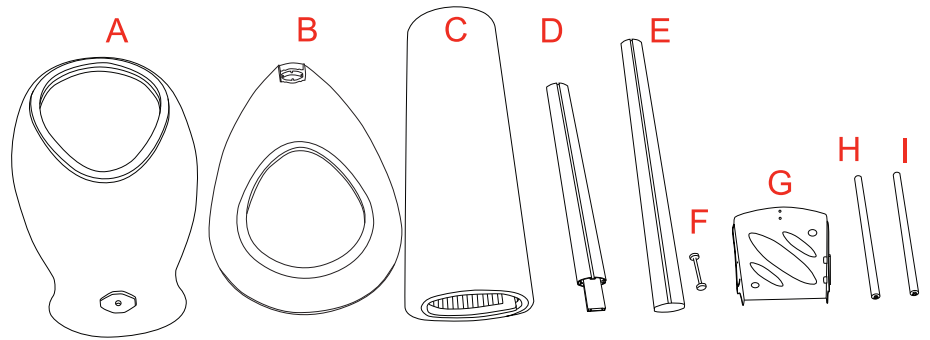


PROMOTIONAL STAND AND BANNER

ASSEMBLY INSTRUCTIONS



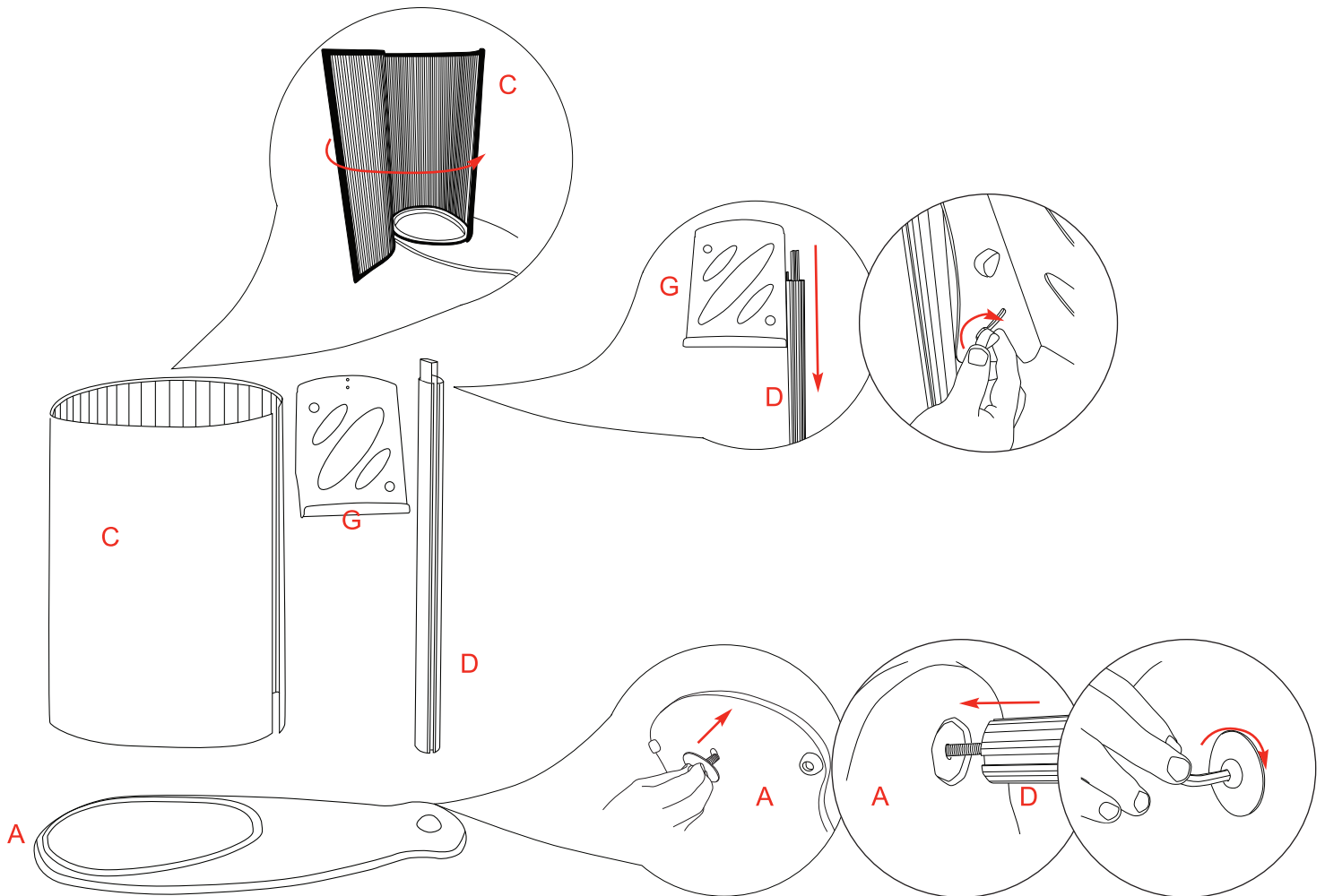
Please note: Allow 15mm both sides and 100mm bleed top and bottom.

For full graphic spec please refer to graphic template

Tel: 0116 2554640 Fax: 0116 2550572

PROMOTIONAL STAND AND BANNER

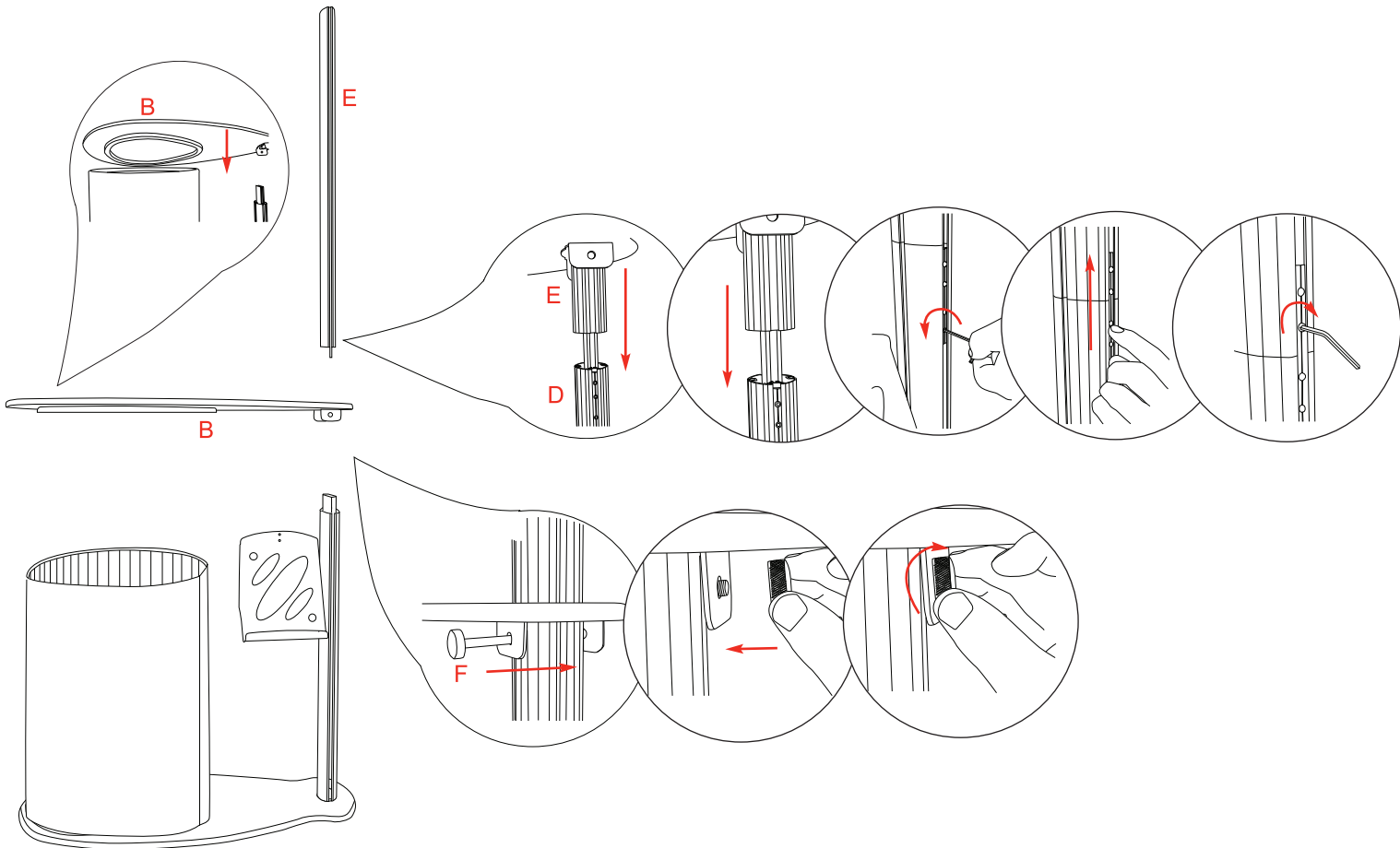
ASSEMBLY INSTRUCTIONS



Tel: 0116 2554640 Fax: 0116 2550572

PROMOTIONAL STAND AND BANNER

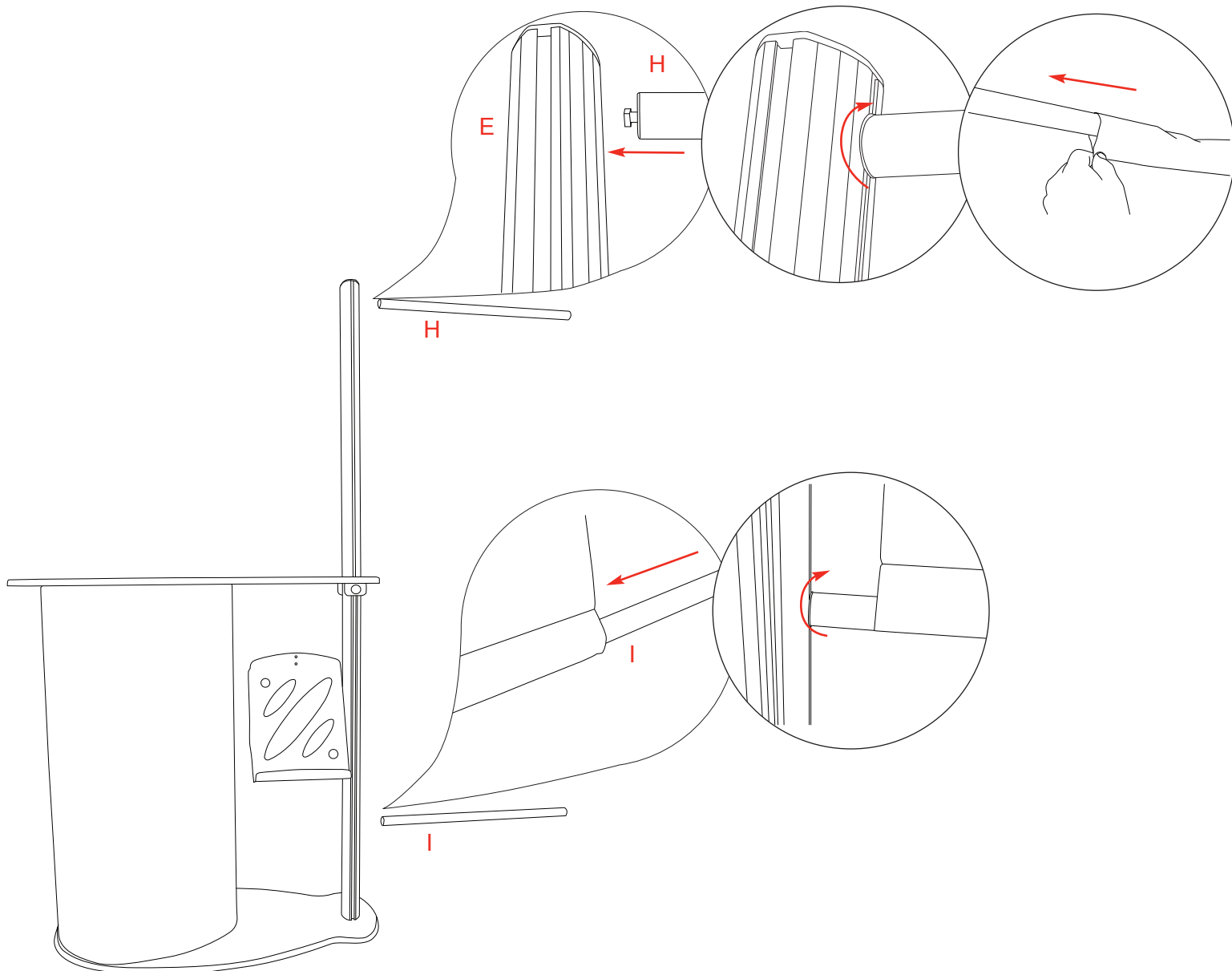
ASSEMBLY INSTRUCTIONS



Tel: 0116 2554640 Fax: 0116 2550572

PROMOTIONAL STAND AND BANNER

ASSEMBLY INSTRUCTIONS



Tel: 0116 2554640 Fax: 0116 2550572