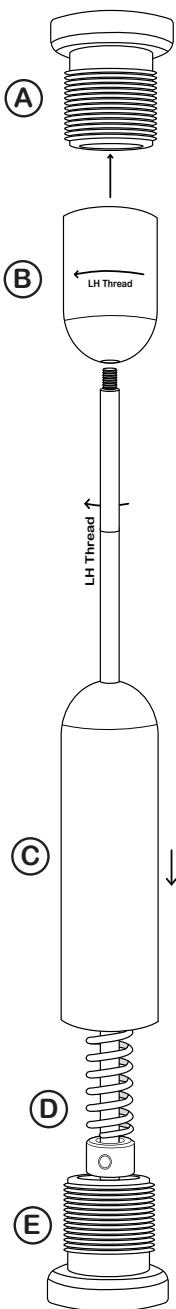


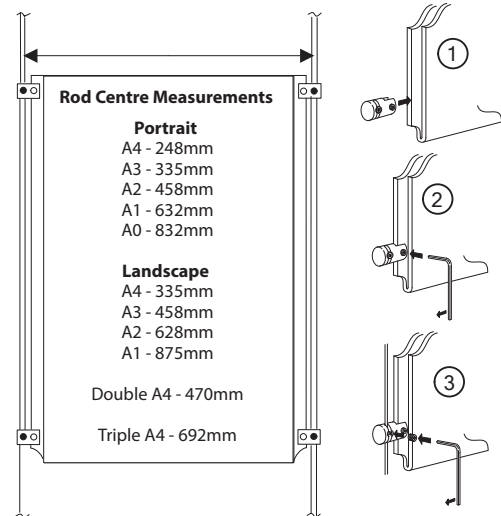
## ASSEMBLY INSTRUCTIONS: FLOOR TO CEILING ROD KIT



### INSTALLING FLOOR TO CEILING RODS

Determine the rod centre measurements for the pockets you are installing from list opposite.

Mark out the floor positions for the pair of rods, use a plumb bob to find the location on the ceiling directly over the floor position.



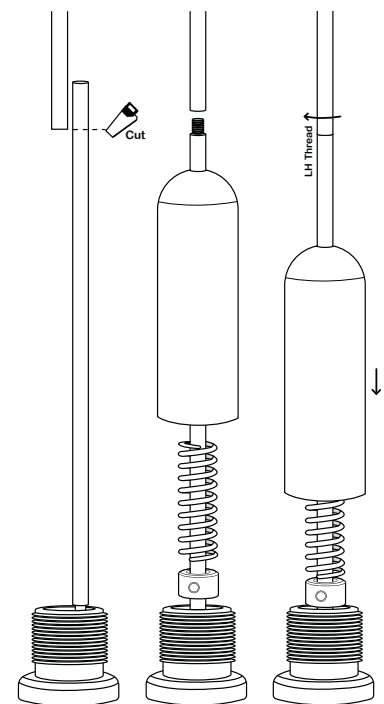
Unscrew the fixing **A** from the ceiling fixing **B** and securely fix to your mark on the ceiling. Do the same to the floor with fixing **E** from the rod tensioner **C**

Depending on how high the ceiling is, keep adding rods until you have less than one rods length left.

Hold the last rod 2mm above the top of the fixing (see diagram) and cut to size as shown then screw the rod in to the hanging rod.

Slide on brass collar and spring **D** and then the tensioner cover **C**. Tighten the collar flush with the top edge of the floor fixing and then tighten the outer body of the tensioner on to the floor fixing **E**

You should feel the the tension starting to be taken up just before the tensioner is screwed fully down.



**Remember, the rod is only as strong as your fixing to the ceiling.**